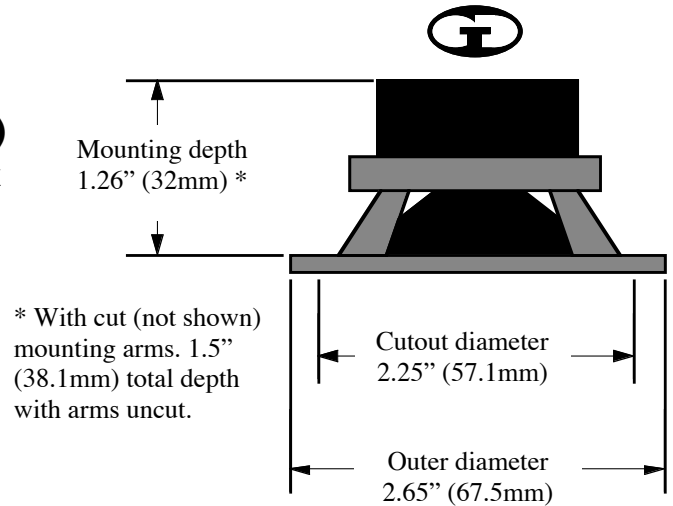


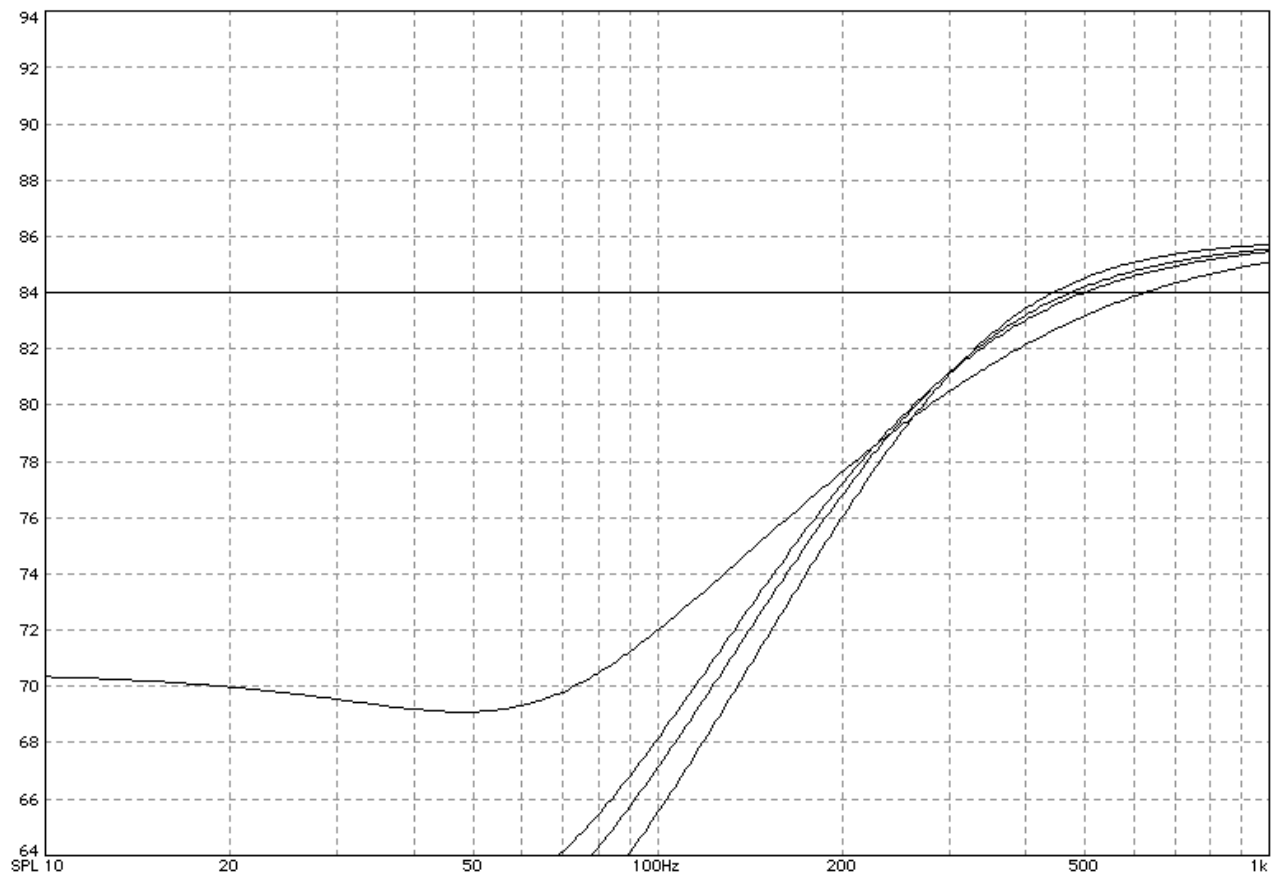
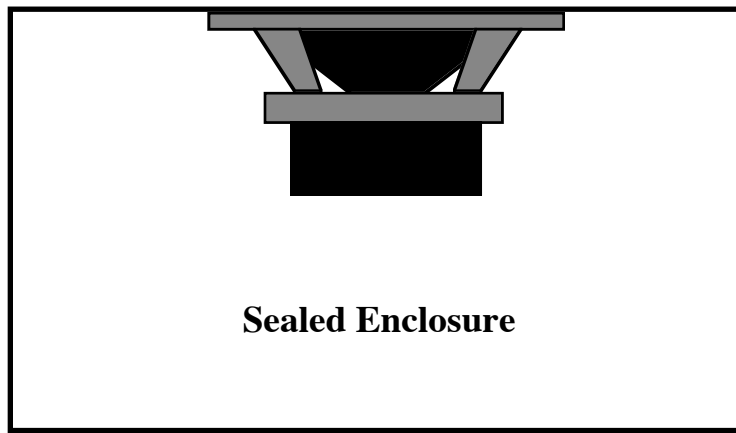
Specifications

Diameter:	2.0" (52mm)
Sensitivity:	86 dB
Power Handling:	10 WRMS (20W Pk)
With crossover:	40~100 Watts Max
Frequency Response:	400 ~ 20,00 Hz
Nominal Impedance:	4 Ohms
Voice Coil Diameter:	1.0" (25mm)
Peak Xmax:	1mm
Magnet Weight:	Neodymium
Surround	Rubber
Frame	Cast Resin
Cone	Paper

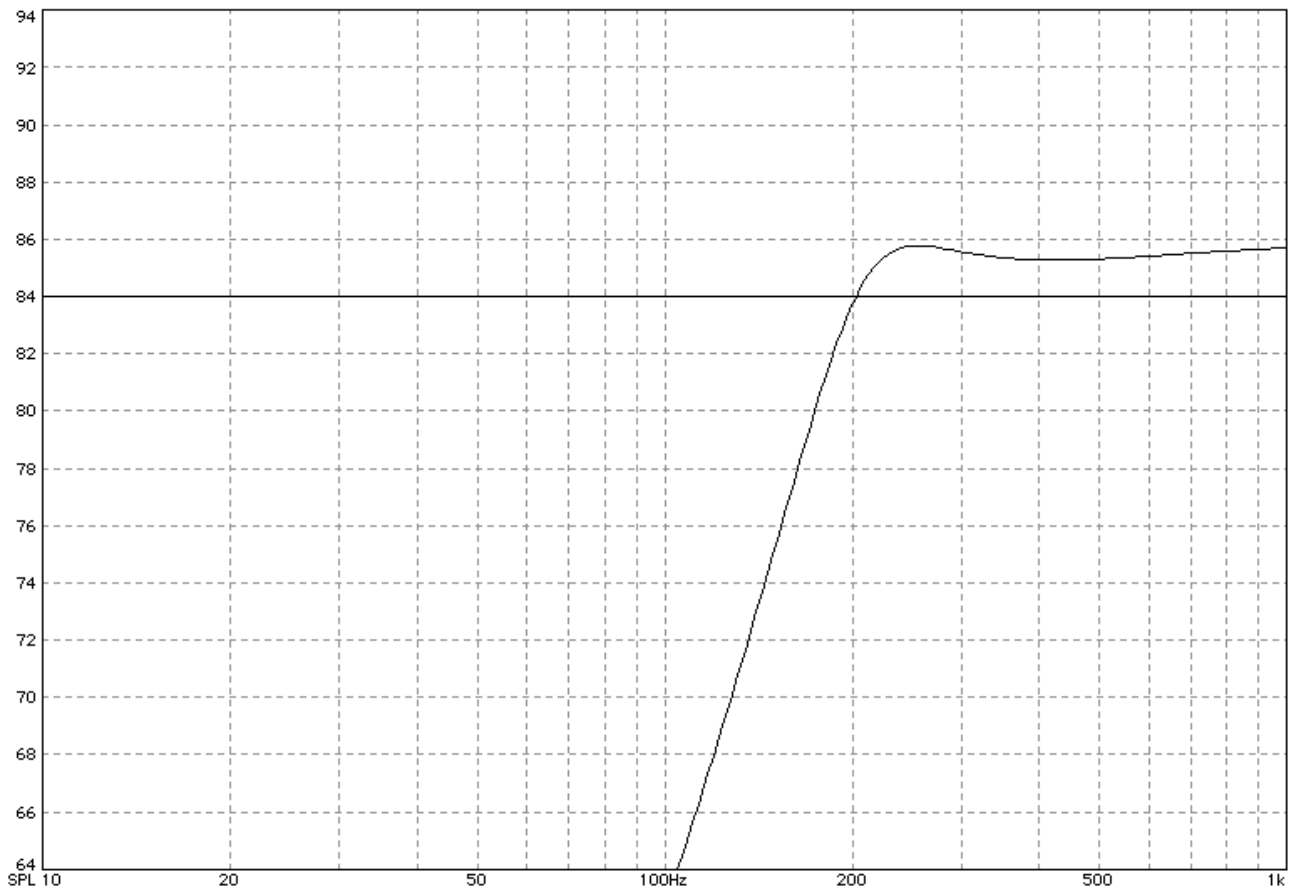
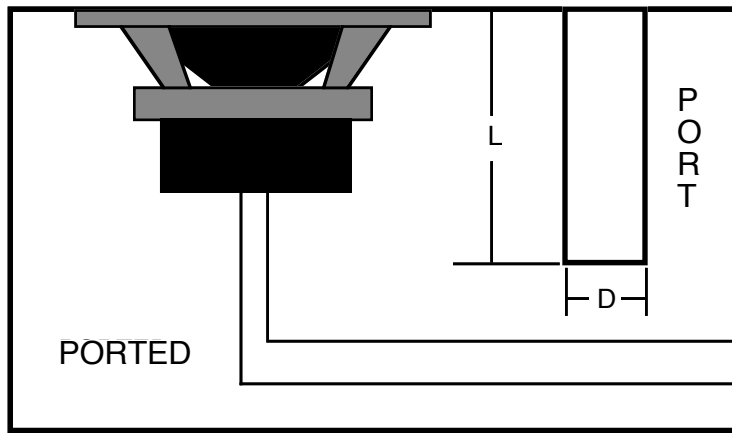


Thiele-Small Parameters

Free Air Resonance:	155 Hz
Voice Coil DC Resistance:	3.6 ohms
Voice Coil Inductance @ 1 kHz:	0.026 mH
Mechanical Q (Q_{ms}):	4.56
Electrical Q (Q_{es}):	0.319
Total Q (Q_{ts}):	0.298
Compliance Volume (V_{as}):	0.22L; 0.0077 ft³
Moving mass, Diaphragm:	1.125 Gr
Motor Force Factor:	3.5 Tm



**Sealed Box Responses from top to bottom at 100Hz:
 173, 6.05, 4.84, 3.62 cubic inches excluding driver displacement ~
 1.65 cubic inches.**



Ported Box for ideal installed response:
8.64 cubic inches excluding driver and port tube displacement
Approx 5.89 cubic inches should be allowed typically for both.
200Hz port frequency, 5.4" long by .75" inner diameter port tube
Tube OD assumed to be 1".